

VRLA Rechargeable Battery

MPL55-12 Handle Type

FEATURES

- Maintenance free(no water topping-up required)
- No free acid(Non-spillable battery)
- Can be used in any orientation(excluding used inverted)
- The battery is designed with very lower resistance and exceeding high power performance.
- Long life expectancy 10 years in float application
- Carry handles for easy installation
- Absorbent Glass Mat technology for efficient gas recombination

APPLICATION

- UPS
- Cable TV
- Golf-Carts
- Telecom
- Power station
- Marine

SPECIFICATIONS

Nominal Voltage	12V	
Nominal Capacity	10 Hour Rate (5.3A, 10.5V)	53.0 Ah
	5 Hour Rate (9.4A, 10.5V)	46.8 Ah
	1 Hour Rate (38.0A, 9.6V)	38.0 Ah
	15 Min Rate (220W, 9.6V)	27.5 Ah
Approx. Weight	17.8Kg(39.2lbs.)	
Terminals	B5 (Fitting M6 bolt & nut) I2 is optional	
Max. Charge Current	15.9 A	
Cold Cranking Amp @ -18°C	480 A	
Short Circuit Current	1600 A	
Operating Temperature Range	Charge	0°C~50°C(32°F~122°F)
	Discharge	-20°C~60°C(-4°F~140°F)
	Storage	-20°C~50°C(-4°F~122°F)
Self Discharge	< 3% per month (25°C)	
Internal Resistance	≤ 5mΩ (Fully Charged)	



CONTAINER MATERIAL

- Standard: PP(UL 94-HB)
Model Name: MPL55-12
- Optional: Flame Retardant PP(UL 94-V0)
Model Name: MPL55-12FR

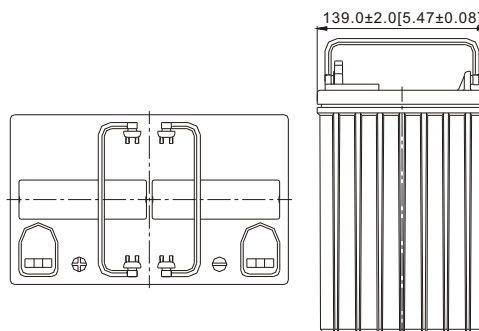
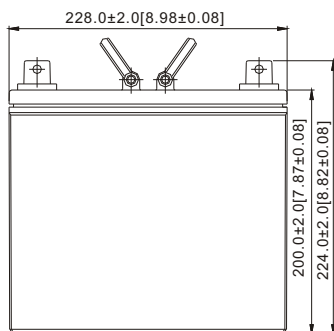
WSF **WSF** **WSF**
ISO9001 ISO14001 OHSMS



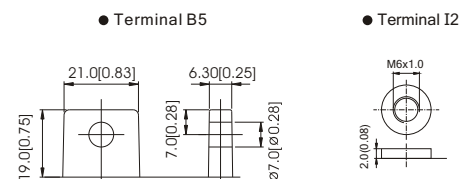
- IEC61056-1
- JIS C 8702-1
- GB/T 19639.1

OUTER DIMENSIONS mm(inch)

Length (L)	Width (W)	Container Height (H)	Total Height (TH)
228±2.0(8.98±0.08)	139±2.0(5.47±0.08)	200±2.0(7.87±0.08)	B5: 224±2.0(8.82±0.08) I2: 207±2.0(8.15±0.08)

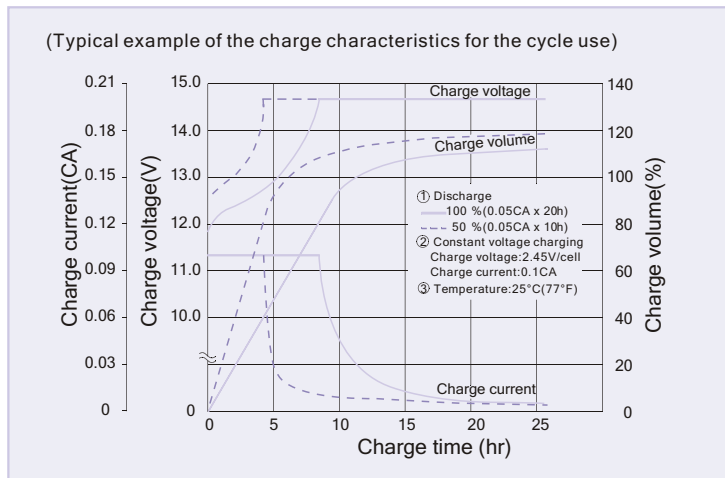


TERMINAL TYPE

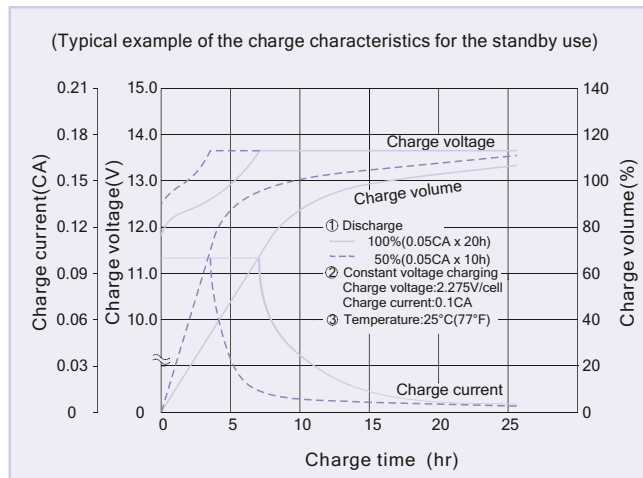


Terminal Hardware Initial Torque:
B5,I2(5.5Nm±5%)

MPL55-12(MPL55-12FR) Charging Characteristics



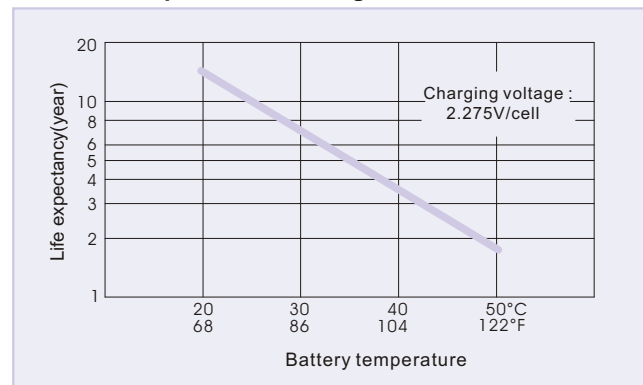
Battery Charging Characteristics



Charging Procedure

Application	Charging method	Charging Voltage at 25°C (V/cell)	Temperature compensation coefficient of charging voltage (mV/°C /cell)	Max. charging current (CA)	Charging time 0.1CA, 25°C (h)		Temp (°C)
					100% discharge	50% discharge	
For standby power Source	Constant voltage & Constant current charging (with current restriction)	2.25~2.30	-3	0.3	24	20	0~50 (32~122°F)
For cycle service		2.40~2.50	-4	0.3	16	10	

Effect Of Temperature On Long Term Float Life



Constant power discharge characteristics at 25 °C/77 °F Unit: W

F.V. (V/cell)	Discharge Time	5 Min	10 Min	15 Min	20 Min	25 Min	30 Min	40 Min	50 Min	60 Min	90 Min
		1.80V	1905	1400	1163	972	843	740	596	500	433
1.75V	2135	1501	1230	1009	868	759	608	510	440	313	
1.70V	2277	1563	1270	1035	884	771	616	516	445	316	
1.65V	2370	1612	1300	1055	898	780	623	521	449	319	
1.60V	2440	1644	1320	1070	910	787	630	526	453	321	

Constant current discharge characteristics at 25 °C/77 °F Unit: A

F.V. (V/cell)	Discharge Time	5 Min	10 Min	15 Min	20 Min	25 Min	30 Min	40 Min	50 Min	60 Min	90 Min
		1.80V	176	123	101	83	71	62	50	42	36.4
1.75V	193	132	106	87	74	64	51	43	37.0	26.2	
1.70V	206	138	110	89	76	65	52	43	37.4	26.5	
1.65V	215	142	113	91	77	66	52	44	37.7	26.8	
1.60V	222	145	115	92	78	67	53	44	38.0	27.0	

All data and artworks shall be changed without prior notice, BB reserves the right to explain and update the information contained hereinto.

A/4 REV. Jul. 2013

USA:
 B&B BATTERY(USA) INC.
 6415 RANDOLPH ST.COMMERCE, CA,90040 U.S.A.
 TEL:1-323-278-1900.1-800-278-8599
 FAX:1-323-278-1268
 E-Mail:sales@bb-battery.com

CHINA FACTORY:
 B.B. BATTERY CO., LTD.
 CHENG DONG TRIAL AREA,HUANG GANG,
 RAOPING, GUANG DONG,CHINA,515700
 TEL:86-768-7601001-2
 FAX:86-768-7601469
 E-Mail:maggy@bb-battery.com

EUROPE:
 B&B BATTERY(EUROPE) B.V.
 SUITE 8, HAAKSBERGWEG 33, 1101
 BP AMSTERDAM, THE NETHERLANDS
 TEL: 31-30-320-0190
 MOBILE: 852-9128-2711
 E-Mail: dliu@bb-battery.com

HONG KONG:
 B&B BATTERY(Hong Kong) Co.
 TEL:852-2311-4918
 FAX:852-2739-1182
 E-Mail:bbhk@hkstar.com

JAPAN:
 B&B BATTERY(JAPAN) CO., LTD.
 1375-11 NARAHARA-MACHI,HACHIOJI,
 TOKYO 193-0803,JAPAN.
 TEL:81-426-25-6375
 FAX:81-426-25-6375
 E-Mail:miyata@bb-battery.com

TAIWAN:
 B.B. BATTERY(TAIWAN) CO., LTD.
 TEL:886-6-502-5150
 FAX:886-6-589-8087
 E-Mail:kevinlin@bb-battery.com