

VRLA Rechargeable Battery

MPL155-12

FEATURES

- Maintenance free(no water topping-up required)
- No free acid(Non-spillable battery)
- Can be used in any orientation(excluding used inverted)
- The battery is designed with very lower resistance and exceeding high power performance
- Long life expectancy 10 years in float application
- Flame-arrestor is installed to ensure safety
- Carry handles for easy installation
- Absorbent Glass Mat technology for efficient gas recombination

APPLICATION

- UPS
- Cable TV
- Golf-Carts
- Telecom
- Power station
- Marine



SPECIFICATIONS

Nominal Voltage	12V	
Nominal Capacity	10 Hour Rate (15.0A, 10.5V)	150.0 Ah
	5 Hour Rate (26.0A, 10.5V)	130.0Ah
	1 Hour Rate (107.0A, 9.6V)	107.0Ah
	15 Min Rate (620W, 9.6V)	77.5 Ah
Approx. Weight	45.5Kg(100.3lbs.)	
Terminals	I3	
Max. Charge Current	45.0 A	
Operating Temperature Range	Charge	0°C~50°C(32°F~122°F)
	Discharge	-20°C~60°C(-4°F~140°F)
	Storage	-20°C~50°C(-4°F~122°F)
Self Discharge	< 3% per month (25°C)	
Internal Resistance	≤ 2.7mΩ (Fully Charged)	

CONTAINER MATERIAL

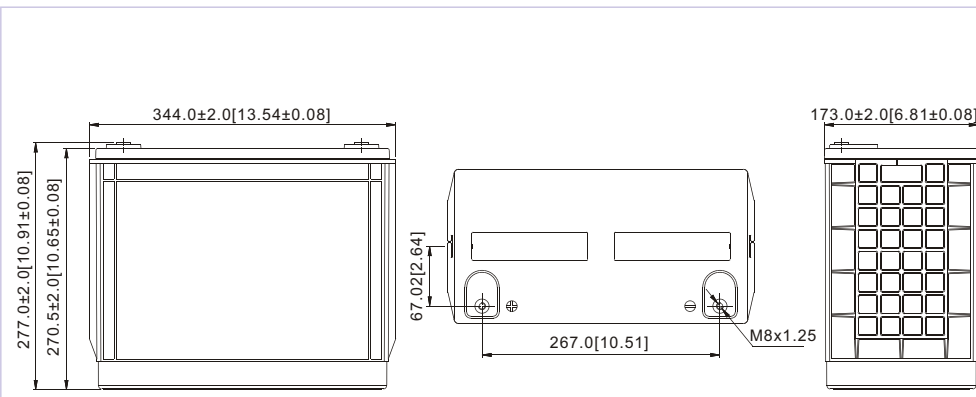
- MPL155-12:
PP: UL 94-HB

C4M20310-2474-E-16

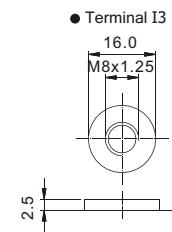
CE

- IEC60896-21/22
- JIS C 8704-2
- GB/T 19638.2

OUTER DIMENSIONS mm(inch)	Length (L)	Width (W)	Container Height (H)	Total Height (TH)
	344±2.0(13.54±0.08)	173±2.0(6.81±0.08)	270.5±2.0(10.65±0.08)	277±2.0(10.91±0.08)

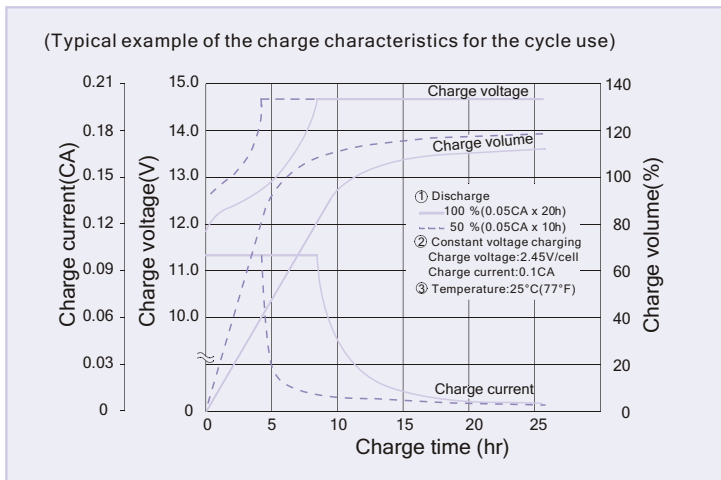


TERMINAL TYPE

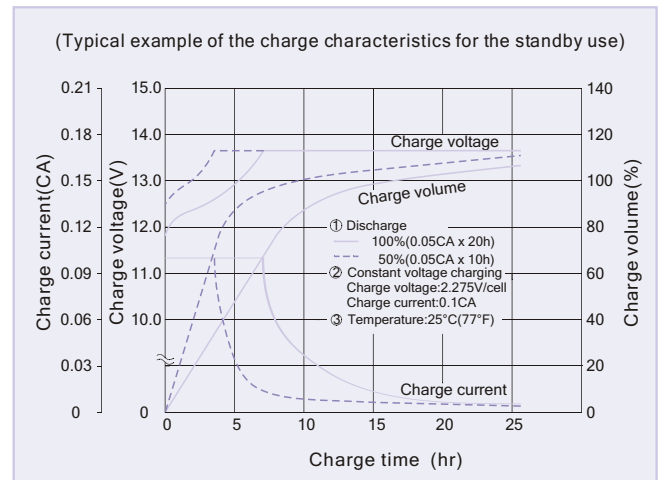


Terminal Hardware Initial Torque:
I3(10.0Nm±5%)

MPL15-12 Charging Characteristics



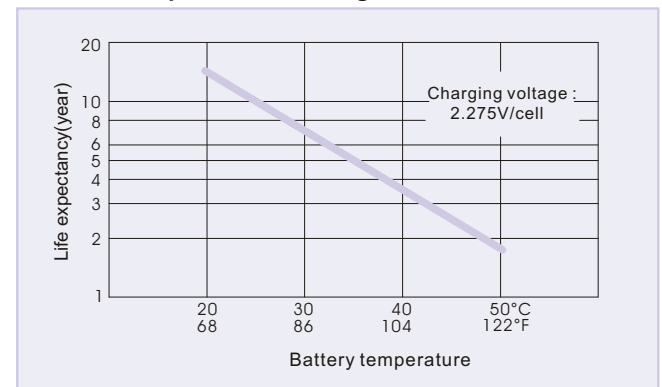
Battery Charging Characteristics



Charging Procedure

Application	Charging method	Charging Voltage at 25°C (V/cell)	Temperature compensation coefficient of charging voltage (mV/°C /cell)	Max. charging current (CA)	Charging time 0.1CA, 25°C (h)		Temp (°C)
					100% discharge	50% discharge	
For standby power Source	Constant voltage & Constant current charging (with current restriction)	2.25~2.30	-3	0.3	24	20	0~50 (32~122°F)
For cycle service		2.40~2.50	-4	0.3	16	10	

Effect Of Temperature On Long Term Float Life



Constant power discharge characteristics at 25 °C/77 °F Unit: W

F.V. (V/cell) \ Discharge Time	5 Min	10 Min	15 Min	20 Min	25 Min	30 Min	40 Min	50 Min	60 Min	90 Min
1.80V	4746	3981	3277	2740	2375	2086	1679	1409	1221.1	868.0
1.75V	5196	4226	3467	2847	2446	2139	1714	1438	1240.0	881.8
1.70V	5612	4400	3586	2921	2494	2173	1738	1455	1253.8	892.1
1.65V	5994	4536	3667	2976	2533	2198	1758	1471	1265.8	899.0
1.60V	6150	4623	3720	3016	2564	2218	1776	1483	1276.2	904.2

Constant current discharge characteristics at 25 °C/77 °F Unit: A

F.V. (V/cell) \ Discharge Time	5 Min	10 Min	15 Min	20 Min	25 Min	30 Min	40 Min	50 Min	60 Min	90 Min
1.80V	430	350	284	234	200	174	140	117	102.6	72.9
1.75V	473	375	300	245	208	181	143	121	104.2	74.1
1.70V	516	401	310	251	214	184	146	122	105.4	74.9
1.65V	565	424	319	257	217	188	148	124	106.4	75.6
1.60V	598	446	324	260	220	189	150	126	107.1	76.1

All data shall be changed without prior notice, BB reserves the right to explain and update the information contained hereinto.

Trial A/0 REV. Sep. 2012

USA:
B&B BATTERY(USA) INC.
6415 RANDOLPH ST.COMMERCE, CA,90040 U.S.A.
TEL:1-323-278-1900.1-800-278-8599
FAX:1-323-278-1268
E-Mail:sales@bb-battery.com

CHINA FACTORY:
B. B. BATTERY CO., LTD.
CHENG DONG TRIAL AREA,HUANG GANG,
RAOPING, GUANG DONG,CHINA,515700
TEL:86-768-7601001-2
FAX:86-768-7601469
E-Mail:maggy@bb-battery.com

EUROPE:
B&B BATTERY(EUROPE) B.V.
SUITE 8, HAAKSBERGWEG 33, 1101
BP AMSTERDAM, THE NETHERLANDS
TEL: 31-30-3200190
MOBILE: 886-933896989
E-Mail: gary@bb-battery.com

HONG KONG:
B&B BATTERY(Hong Kong) Co.
TEL:852-2311-4918
FAX:852-2739-1182
E-Mail:bbhk@hkstar.com

JAPAN:
B&B BATTERY(JAPAN) CO., LTD.
1375-11 NARAHARA-MACHI,HACHIOJI,
TOKYO 193-0803,JAPAN.
TEL:81-426-25-6375
FAX:81-426-25-6375
E-Mail:miyata@bb-battery.com

TAIWAN:
B. B. BATTERY(TAIWAN) CO., LTD.
TEL:886-6-502-5150
FAX:886-6-589-8087
E-Mail:kevin@bb-battery.com